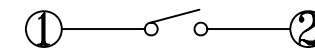
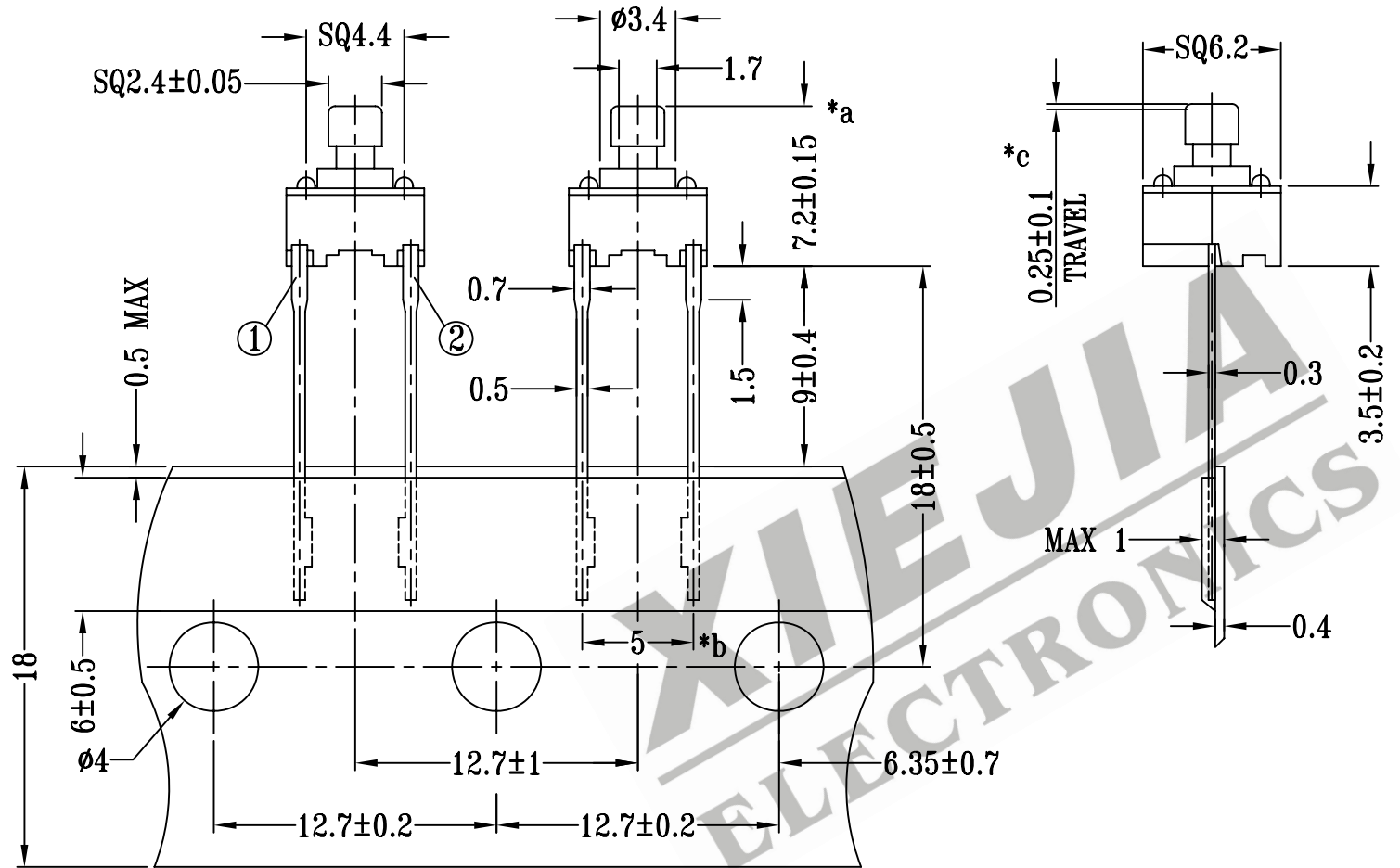
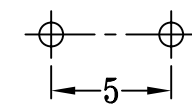


CAD FILE:



**SCHEMATIC**



**P.C.B LAYOUT**

OPERATING FORCE	CODE
100gf	T
130gf	V
160gf	X
170gf	W
190gf	Y
250gf	Z

注:带"\*"表示关键尺寸(3个)

NO.	PART NAME	MATERIAL	Q'TY	FINISHING	TOLERANCE UNLESS SPECIFIED	SHENZHEN XIEJIA ELECTRONICS CO.,LTD.																										
8						<table border="1"> <tr> <td>ISSUE</td> <td>DATE</td> <td>DESCRIPTIONS</td> <td>APPD.</td> </tr> </table>				ISSUE	DATE	DESCRIPTIONS	APPD.																			
ISSUE	DATE	DESCRIPTIONS	APPD.																													
7																																
6	ADHESIVE TAPE	6.0x0.15mm ADHESIVE TAPE	1	NATURAL	WITHIN: 1.5±0.1mm	<table border="1"> <tr> <td colspan="2">TITLE : TACT SWITCH</td> <td>UNIT : MM</td> <td colspan="2">DRWG NO.: XJ-DR-TC0324-00</td> </tr> <tr> <td colspan="2">MODEL: TC-0324</td> <td>SCALE: 3 : 1</td> <td>DWN.</td> <td>ZHOUYU</td> <td>2003-5-21</td> </tr> <tr> <td colspan="2"></td> <td></td> <td>CHK'D</td> <td>FANGYING</td> <td>2003-5-21</td> </tr> <tr> <td colspan="2"></td> <td></td> <td>APPD.</td> <td>KANGXINAN</td> <td>2003-5-21</td> </tr> </table>				TITLE : TACT SWITCH		UNIT : MM	DRWG NO.: XJ-DR-TC0324-00		MODEL: TC-0324		SCALE: 3 : 1	DWN.	ZHOUYU	2003-5-21				CHK'D	FANGYING	2003-5-21				APPD.	KANGXINAN	2003-5-21
TITLE : TACT SWITCH		UNIT : MM	DRWG NO.: XJ-DR-TC0324-00																													
MODEL: TC-0324		SCALE: 3 : 1	DWN.	ZHOUYU	2003-5-21																											
			CHK'D	FANGYING	2003-5-21																											
			APPD.	KANGXINAN	2003-5-21																											
5	PAPER TAPE	18.0x0.4mm PAPER	1	NATURAL	OVER : 1.5±0.2mm																											
4	CASE	NYLON	1	BLACK																												
3	CONTACT	PBS	1	Ag CLAD																												
2	COVER	ZINC PLATE	1	WASHING																												
1	KNOB	POM	1	BLUE																												
					ALL MATERIALS MUST BE COMPLIANT TO ROHS																											